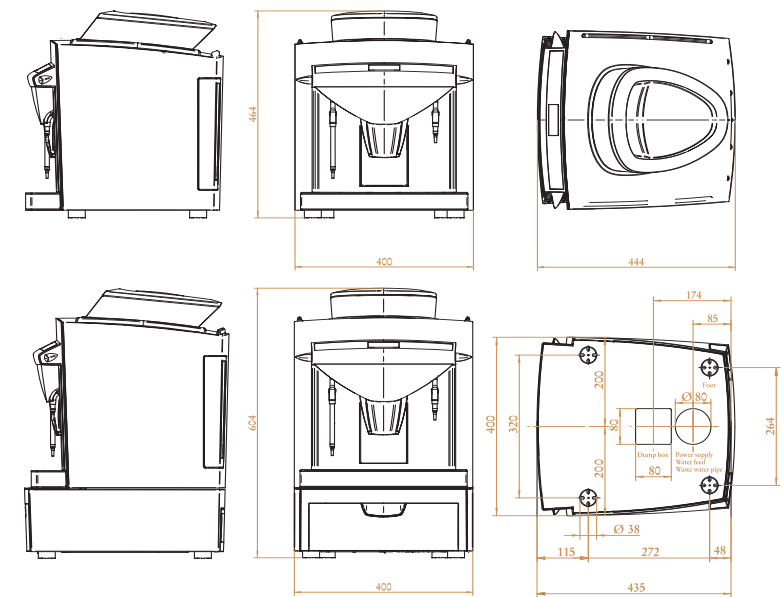


HOURLY OUTPUT AND FEATURES

Coffee	140/hour
Espresso	180/hour
Cappuccino	120/hour
Latte	100/hour
Pods	60/hour
Hot water	30 l/hour
Steam	1.2 bar continuous operation

CONNECTION DETAILS

Weight	28 kg
Voltage	115-230 V 50/60 Hz
Capacity	2.9 kW
Power	13 A/25 A
Water connection	3/8" G/2-4 bar



DESIGN

TIGER CT1+2

Standard, 1 or 2 grinders

TIGER CTM1+2

incl. ThermoFoam system, 1 or 2 grinders

TIGER CTS1+2

incl. steam system, 1 or 2 grinders

BASE CONSTRUCTION

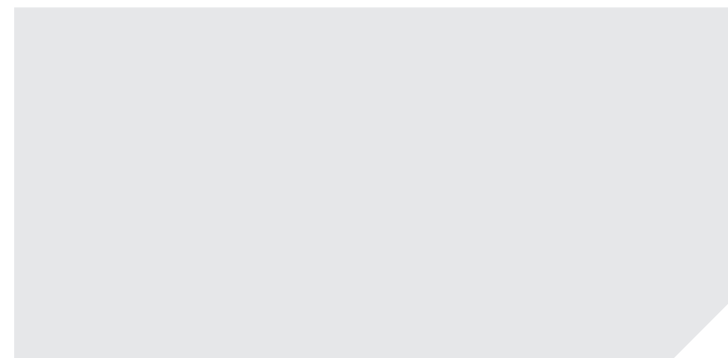
Base construction with 2l milk tank and 4l water tank

Base construction with 2l milk tank and storage container

Base construction with large cup warmer

Base construction with 4l water tank and small cup warmer

Base construction with 4l milk tank



SWITZERLAND:

Thermoplan AG

Röhrlistrasse 22

CH-6353 Weggis

Tel. +41 41 392 12 00

Fax +41 41 392 12 01

thermoplan@thermoplan.ch

www.thermoplan.ch

GERMANY:

Thermoplan Deutschland GmbH

Duisburger Strasse 12

DE-68723 Schwetzingen

Tel. +49 6202 85 58 65

Fax +49 6202 85 59 50

thermoplan@thermoplan-deutschland.de

www.thermoplan.ch

AUSTRIA AND EASTERN EUROPE:

Thermoplan Austria, J.J. Framm

Grillhofweg 1

AT-6080 Innsbruck-Vill

Tel. +43 512 378 379

Fax +43 512 378 379 20

buero@thermoplan.at

www.thermoplan.at

thermoplan

thermoplan

THE BEAUTY
OF HIGH TECH.



TIGER



IS IT POSSIBLE TO THINK OF EVERYTHING?

YES, AND WE DO. BECAUSE

THAT'S THE ONLY WAY WE CAN

LIVE UP TO OUR PRINCIPLE

OF NOT JUST SOLVING PROBLEMS

BUT CREATING IDEAS FOR

PROFESSIONALS. IT IS OUR

SUCCESS PLUS CUSTOMER

SATISFACTION THAT ENABLES US

TO REALISE THIS VISION.

DISCOVER OUR LATEST IDEAS IN

THE REVOLUTIONARY TIGER.



GO FOR CHOICE.

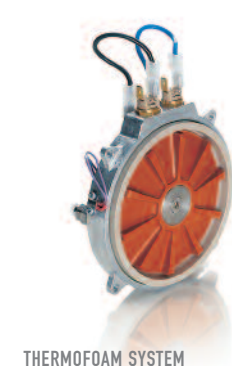
Six freely-programmable product selection keys means that coffee-making is easy and the choice is amazing; one touch of a button and you can enjoy a fully automatic ristretto, espresso, coffee, white coffee, latte macchiato, cappuccino, hot milk or tea.



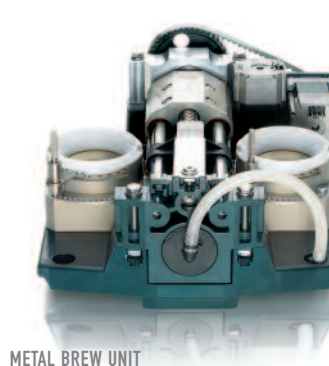
PROGRAMMABLE PRODUCT SELECTION KEYS

TECHNOLOGY FOR GREATER ENJOYMENT.

Only undiluted milk can provide pure pleasure: that is why the new patented ThermoFoam system does not heat the milk using steam. It only takes seconds to be heated inside a tube fitted with temperature sensors. What is more, the indestructible brew unit is made of metal.



THERMOFOAM SYSTEM



METAL BREW UNIT

AS INDIVIDUAL AS YOU.

TIGER is available - as you like it: choose from various designs in two basic colours and the complete range of NCS colours (a surcharge applies). One or two grinders; ThermoFoam or steam system; with or without base construction and milk tank. The individual designs are shown on the last page.

LOOK AT EVERYTHING WE'VE INCLUDED.

TIGER unites all new and tried and tested ideas from Thermoplan.

- > Integrated milk "ThermoFoam" or "Autosteam" system
- > Equipped to use coffee PODs
- > Second grinder, bean hopper for two types of coffee
- > Durable metal brew unit
- > Automatic cleaning system for coffee and milk-circulatory
- > Laptop/WAN/LAN connection and serial interface
- > Steam pipe with integrated temperature sensor
- > Base construction incl. water and/or milk tank or cup warmer
- > Compatible with all the usual cash card systems
- > Self-service mode

